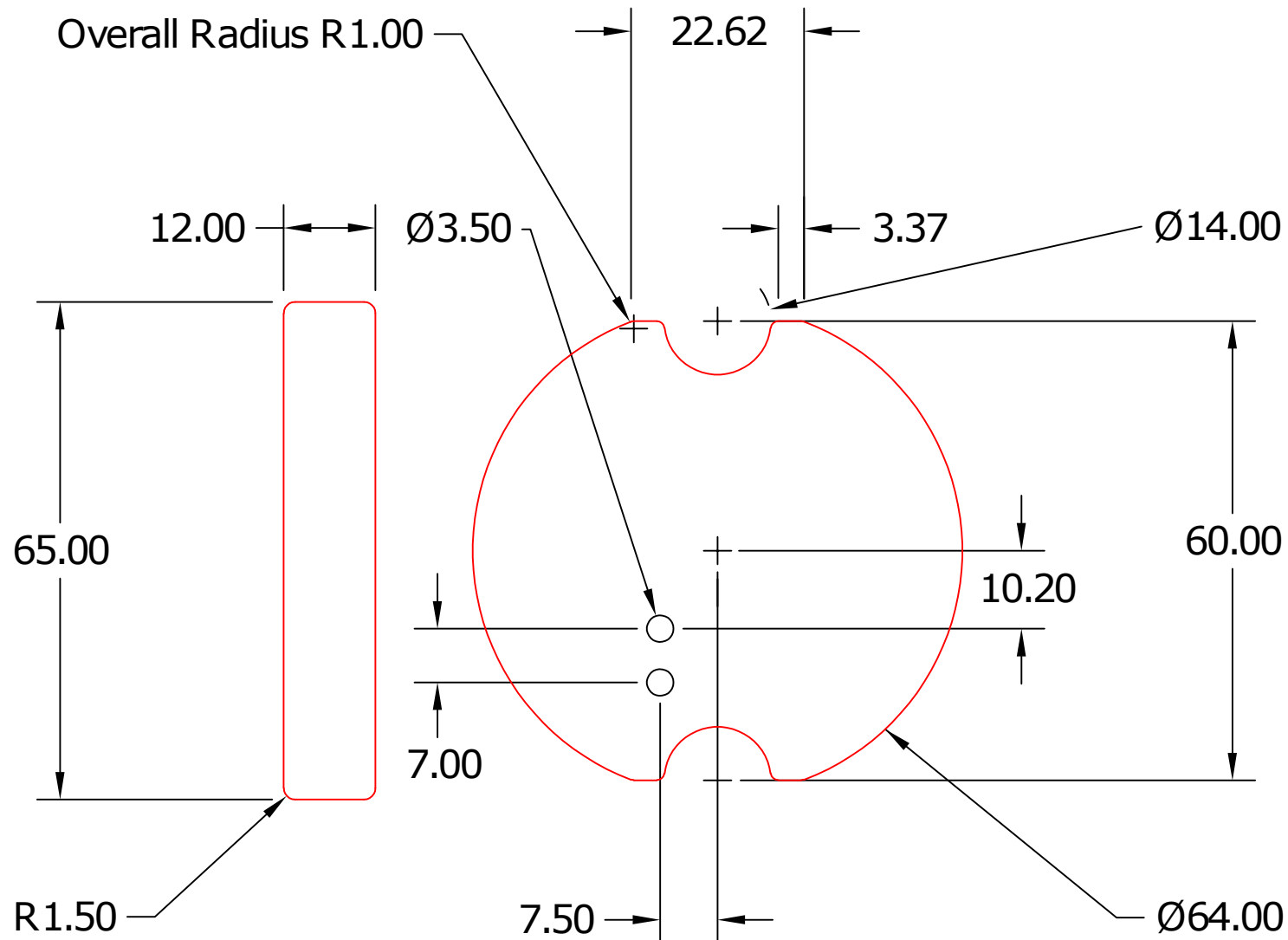


# Ocean Enclosures

Sticker drawing of data converter box, dinrail and wall mounting (DCB-01)



**Electroconnect Systems**

J-112 Ansa Industrial Estate, Saki Vihar Road, Sakinaka,  
Mumbai - 400 072. (India).

Phone Nos.: 022 - 2847 1917 & 2847 1960  
Email: [electronicenclosures@gmail.com](mailto:electronicenclosures@gmail.com)  
Website: [www.oceanenclosures.com](http://www.oceanenclosures.com)

Code: DCB-01

All Dimensions are in mm