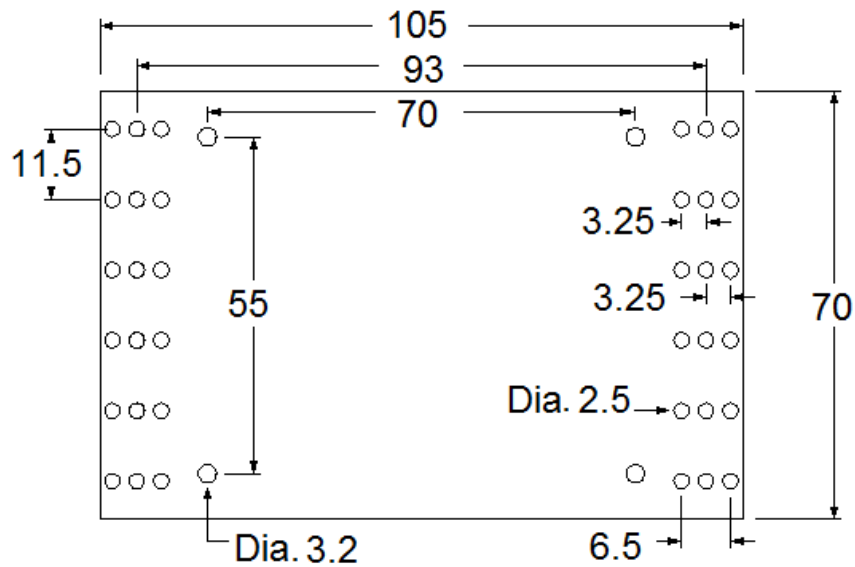


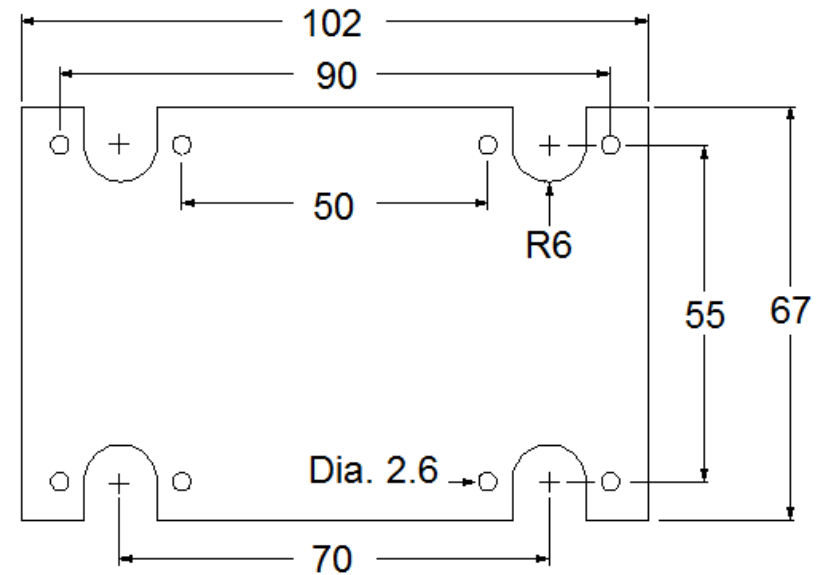
Ocean Enclosures

PCB Drawing of Din Rail/Wall Mounting Enclosure with 12 Poles (EL70-12P)

PCB BETWEEN TOP AND BOTTOM OF CASE

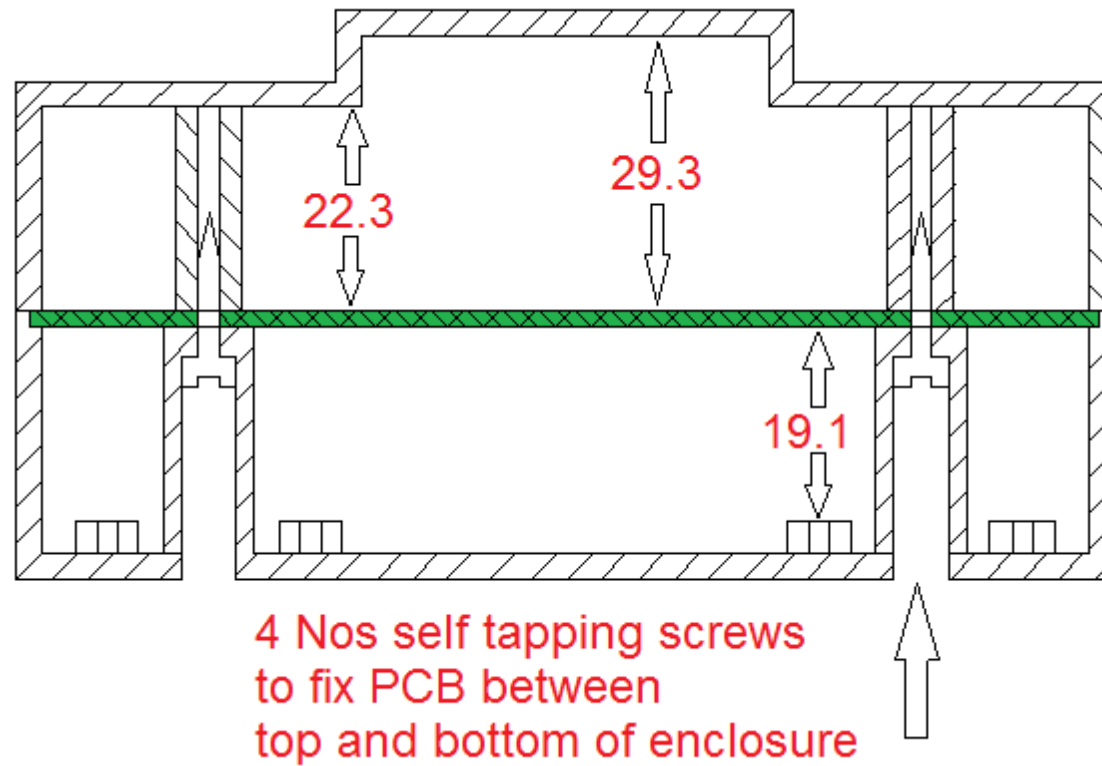


BOTTOM PCB



OceanEnclosures.Com
All dimensions are in mm

Slice view of EL70-12P Enclosure



Ocean Enclosures

Website: www.oceanenclosures.com

Email ID: electronicenclosures@gmail.com