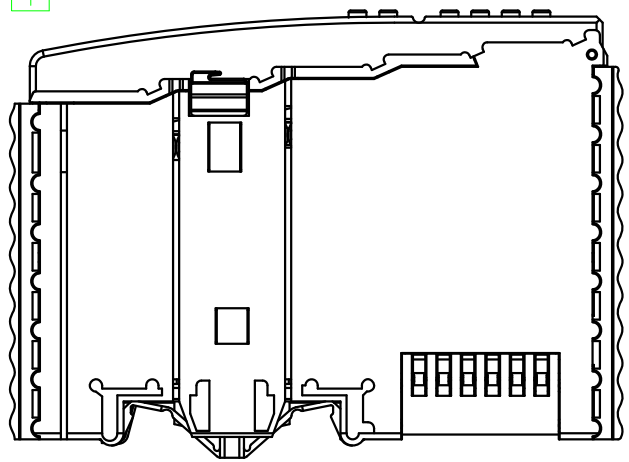
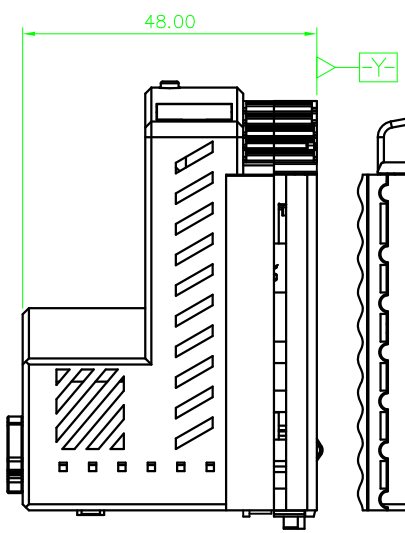
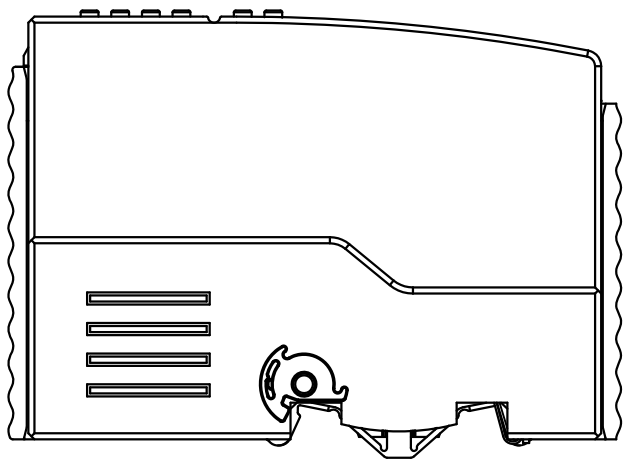
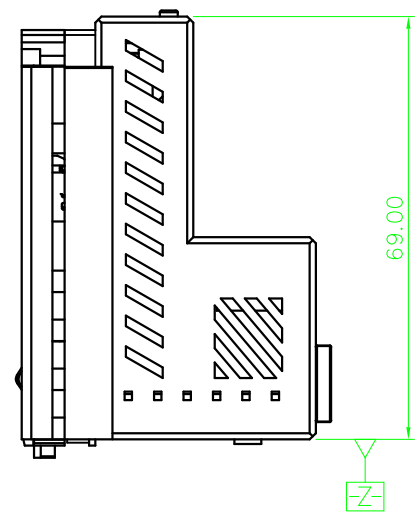
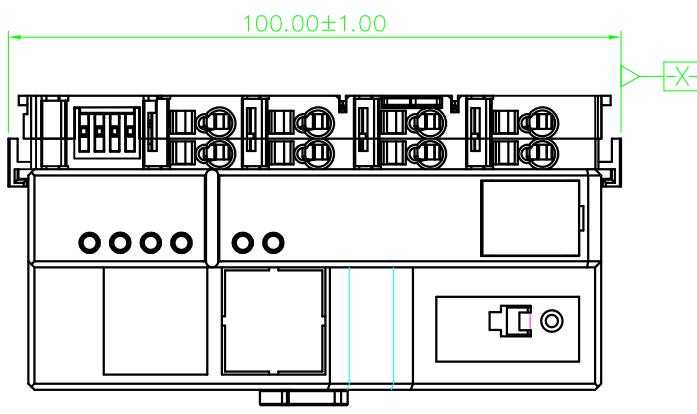


REVISION RECORD				
REV	ECN	DESCRIPTION	DRFT	DATE

H  
G  
F  
E  
D  
C  
B  
A


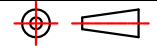
H  
G  
F  
E  
D  
C  
B  
A



Technical parameter	
Overvoltage category	II
Rated voltage	24V
Rated current	10A
Wire range	28~14AWG/2.5mm <sup>2</sup>
Stripping length	8~9mm

NOTES:  
 1.RoHS Compliance  
 2.Undimensioned tolerances:

Pitch range in mm		Nominal dimension range in mm					0.1/10
TO 6	Over 6 TO 10	Over 10 TO 24	TO 30	Over 30 TO 60	Over 60 TO 100	Over 100 TO 150	Over 150
±0.15	±0.20	±0.30	±0.30	±0.50	±0.70	±1.00	±1.30
							±2'

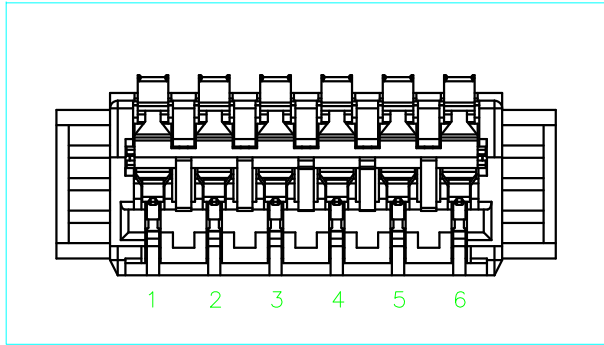
DETACHED LISTS	PART NO.:	 宁波高松电子有限公司 NINGBO DEGSON ELECTRICAL CO., LTD		
	APPD:	NAME: DF750-XXX-11-20XXA(H)		
	CHKD:	TITLE: CUSTOMER DRAWING		
	DRFT: WJJ 2020.08.26	REV: D0-1	SHEET: 1/3	SCALE: 1:1
 THIRD ANGLE PROJECTION		DRAWING NO.: MM (INCH) DO NOT SCALE DRAWING		

A

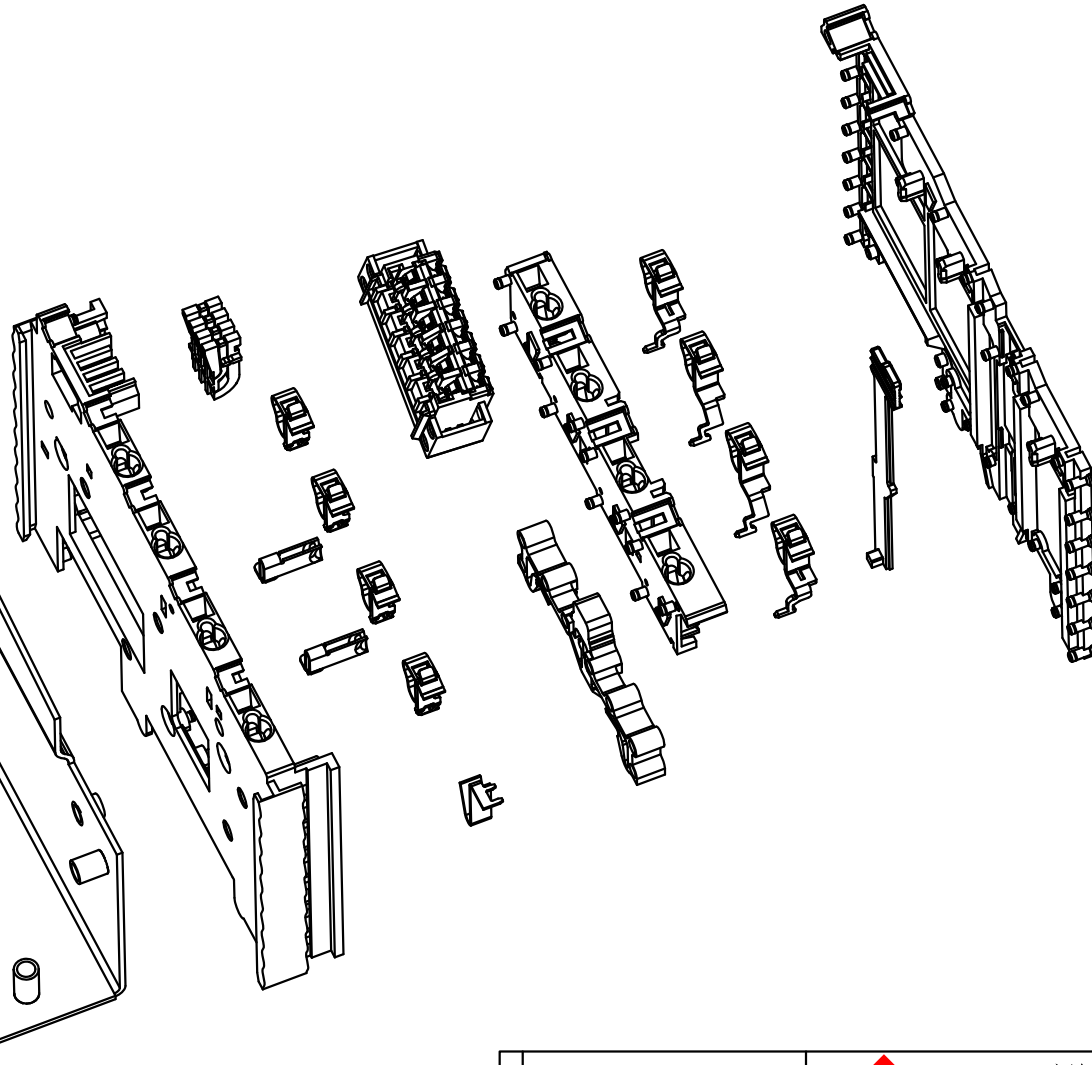
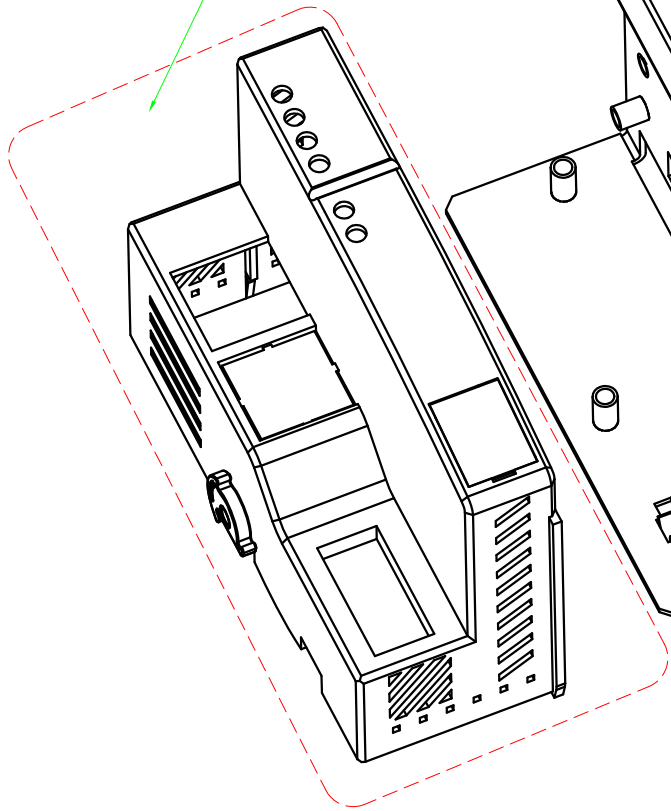
A


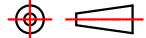

REVISION RECORD

REV	ECN	DESCRIPTION	DRFT	DATE
-----	-----	-------------	------	------



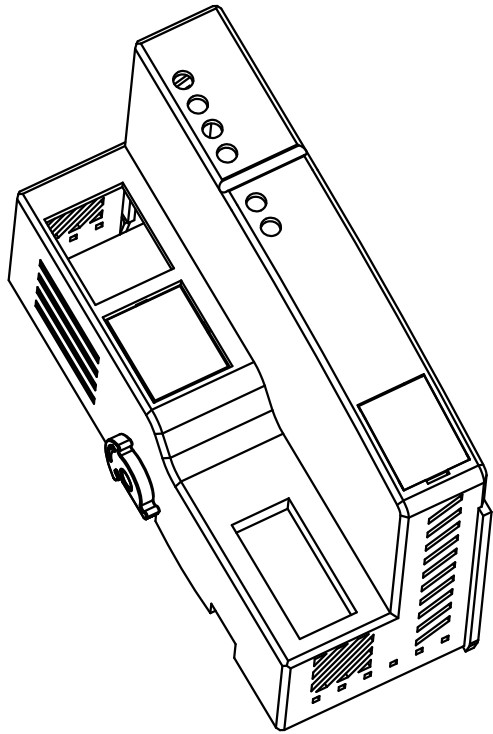
Difference



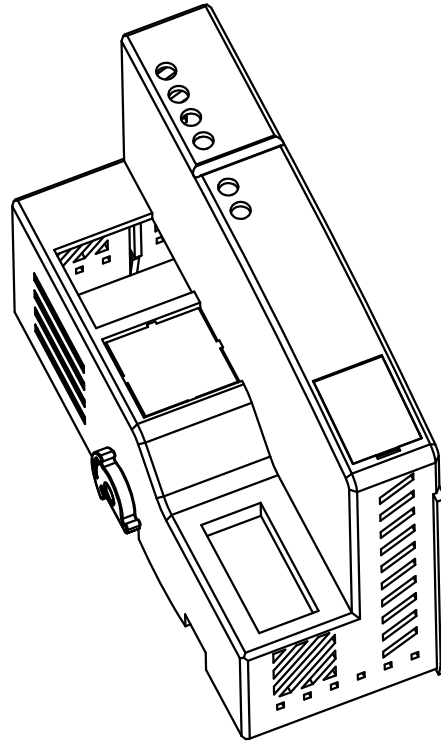
DETAILED LISTS	PART NO.:	 宁波高松电子有限公司 NINGBO DEGSON ELECTRICAL CO., LTD		
	APPD:	NAME: <b>DF750-XXX-11-20XXA(H)</b>		
	CHKD:	TITLE: <b>CUSTOMER DRAWING</b>		
	DRFT: <b>WJJ 2020.08.26</b>	REV: <b>D0-1</b>	SHEET: <b>2/3</b>	
 THIRD ANGLE PROJECTION		DRAWING NO.:	DO NOT SCALE DRAWING	SCALE: <b>1:1</b>
				

REVISION RECORD

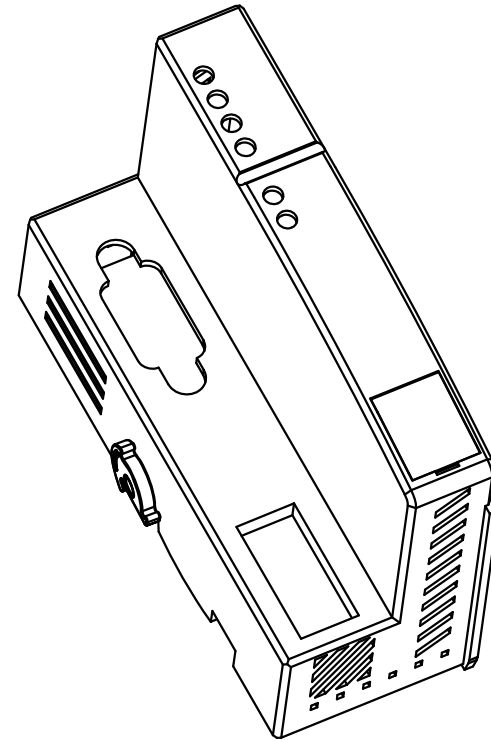
REV	ECN	DESCRIPTION	DRFT	DATE



RJ45-1  
DF750-001-11-20XXA(H)



RJ45-2  
DF750-002-11-20XXA(H)



D-Sub  
DF750-003-11-20XXA(H)

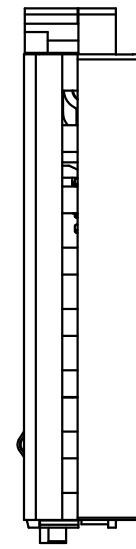
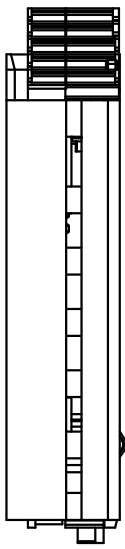
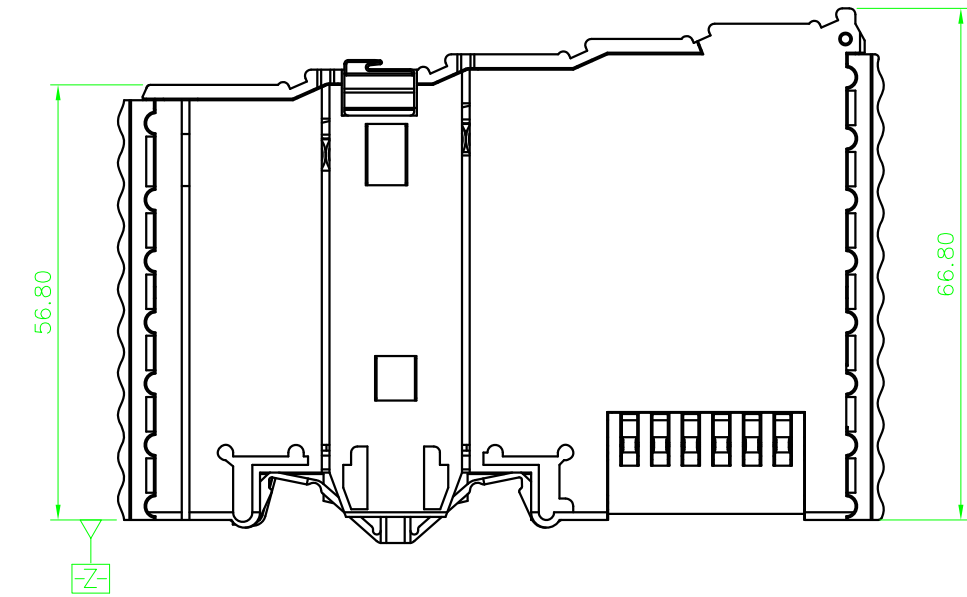
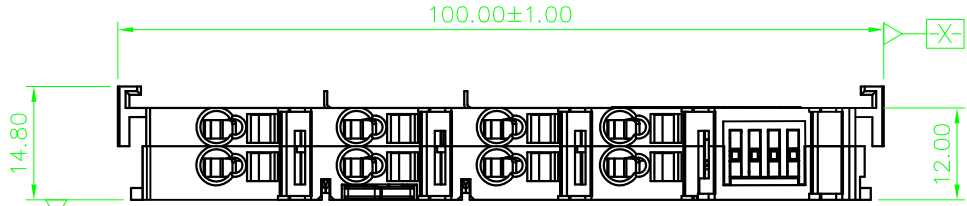
DF750-XXX-11-20XXA(H)

- 001:RJ45-1
- 002:RJ45-2
- 003:D-Sub

- 00:breakover1、2, disconnect3、4、5、6
- 01:disconnect1、2、3、4、5、6
- 02:breakover1、2、5、6, disconnect3、4
- 03:breakove1、2、3、4、5、6
- 05:breakover1、6, disconnect2、3、4、5
- 07:breakover1、2、4、5、6, disconnect3

DETACHED LISTS	PART NO.:	宁波高松电子有限公司 NINGBO DEGSON ELECTRICAL CO., LTD		
	APPD:	NAME: DF750-XXX-11-20XXA(H)		
	CHKD:	TITLE: CUSTOMER DRAWING		
	DRFT: WJJ 2020.08.26	REV: D0-1	SHEET: 3/3	SCALE: 1:1
THIRD ANGLE PROJECTION		DRAWING NO.: MM (INCH)		DO NOT SCALE DRAWING

REVISION RECORD				
REV	ECN	DESCRIPTION	DRFT	DATE



Technical parameter	
Overvoltage category	II
Rated voltage	24V
Rated current	10A
Wire range	28~14AWG/2.5mm <sup>2</sup>
Stripping length	8~9mm

NOTES:  
 1.RoHS Compliance  
 2.Undimensioned tolerances:

Pitch range in mm		Nominal dimension range in mm					0.1/10
TO	Over TO	Over TO	TO	Over TO	Over TO	Over TO	±
6	10	10	30	60	100	150	±2'
±0.15	±0.20	±0.30	±0.30	±0.50	±0.70	±1.00	±1.30

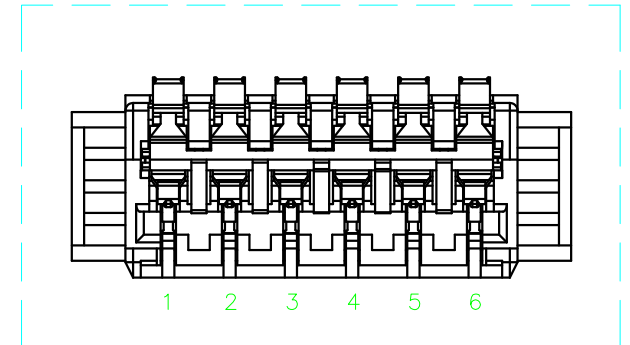
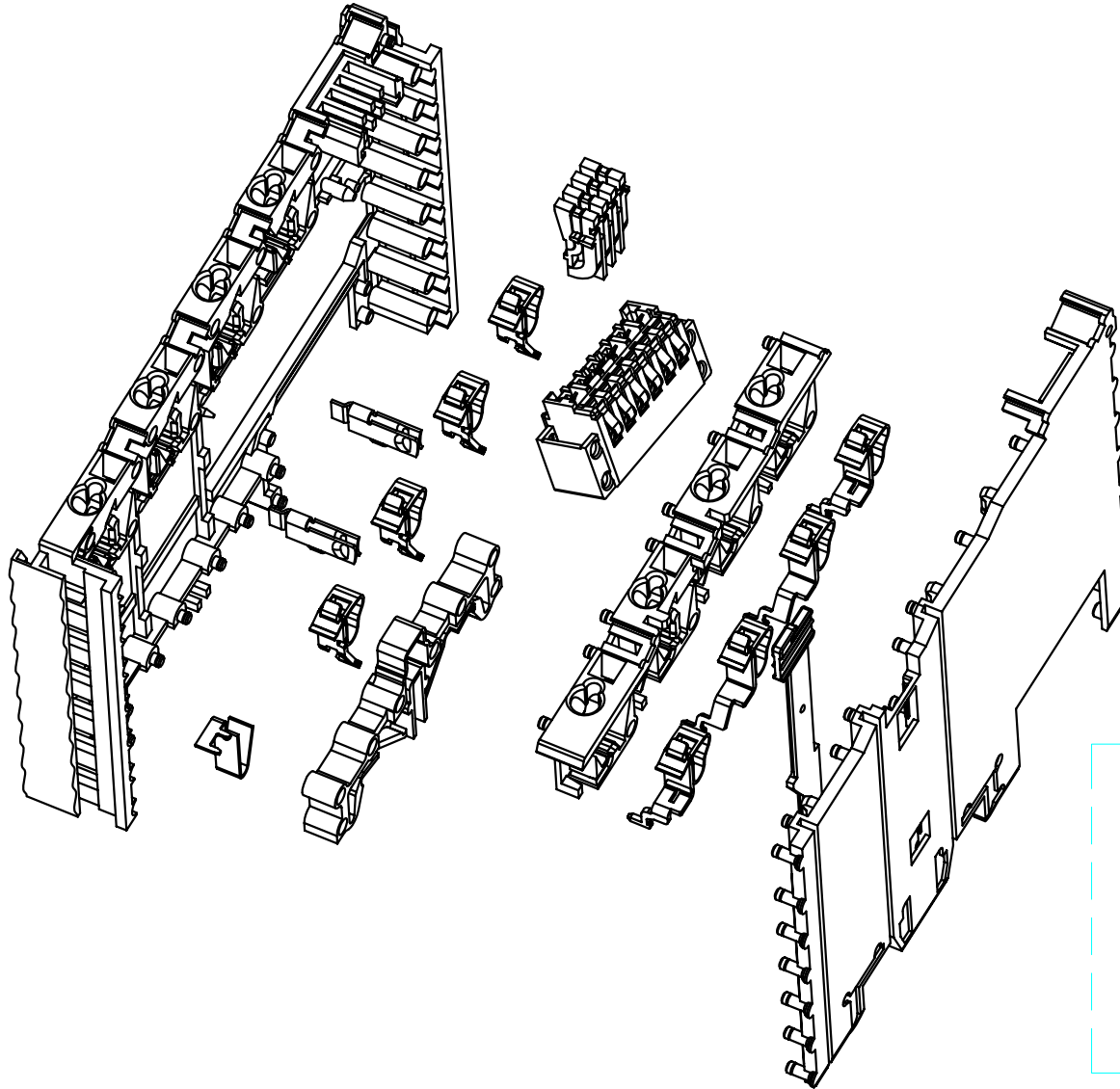
DETACHED LISTS	PART NO.:	宁波高松电子有限公司 NINGBO DEGSON ELECTRICAL CO., LTD		
	APPD:	NAME: <b>DF750-200-11-20XXA(H)</b>		
	CHKD:	TITLE: <b>CUSTOMER DRAWING</b>		
	DRFT: <b>WJJ 2020.08.27</b>	REV: <b>D0-1</b>	SHEET: <b>1/2</b>	SCALE: <b>1:1</b>
THIRD ANGLE PROJECTION		DRAWING NO.: ← MM (INCH) → DO NOT SCALE DRAWING		

H  
G  
F  
E  
D  
C  
B  
A

H  
G  
F  
E  
D  
C  
B  
A


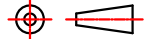
REVISION RECORD

REV	ECN	DESCRIPTION	DRFT	DATE
-----	-----	-------------	------	------



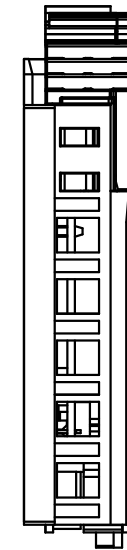
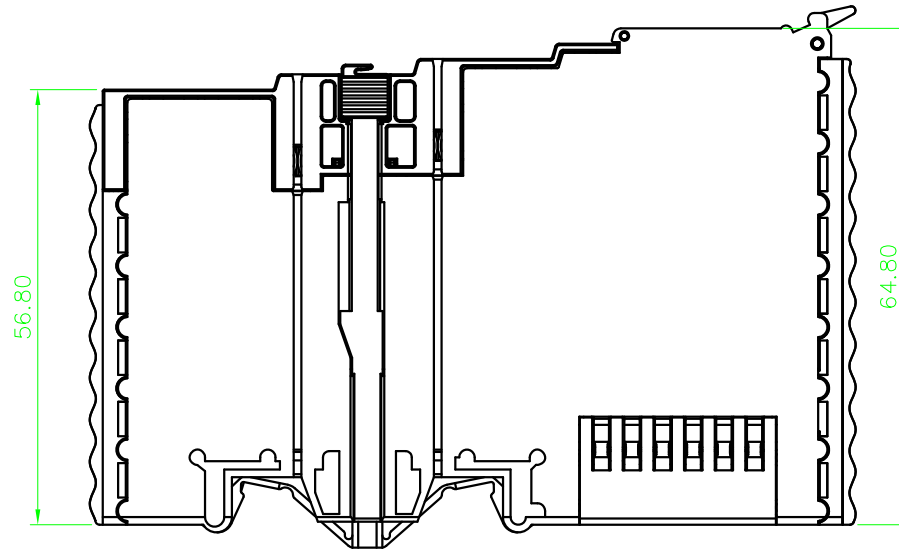
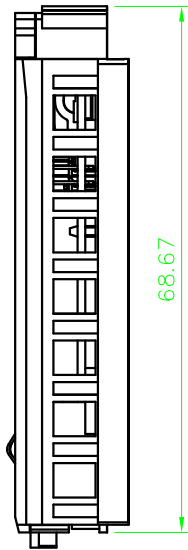
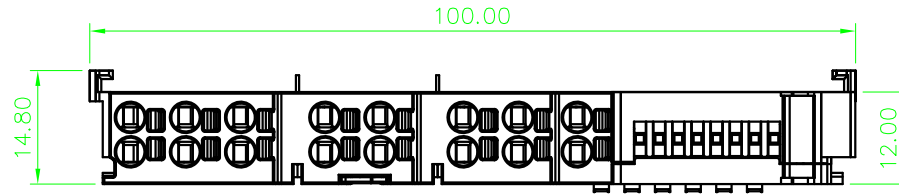
DF750-200-11-20XXA(H)

- 00: breakover1、2, disconnect3、4、5、6
- 01: disconnect1、2、3、4、5、6
- 02: breakover1、2、5、6, disconnect3、4
- 03: breakove1、2、3、4、5、6
- 05: breakover1、6, disconnect2、3、4、5
- 07: breakover1、2、4、5、6, disconnect3

DETACHED LISTS	PART NO.:	 宁波高松电子有限公司 NINGBO DEGSON ELECTRICAL CO., LTD		
	APPD:	NAME: DF750-200-11-20XXA(H)		
	CHKD:	TITLE: CUSTOMER DRAWING		
	DRFT: WJJ 2020.08.27	REV: D0-1	SHEET: 2/2	SCALE: 1:1
 THIRD ANGLE PROJECTION		DRAWING NO.:	DO NOT SCALE DRAWING	
		MM (INCH)		

REVISION RECORD


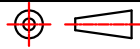
REV	ECN	DESCRIPTION	DRFT	DATE



Technical parameter	
Overvoltage category	II
Rated voltage	150V
Rated current	10A
Wire range	28~16AWG/0.2~1.5mm <sup>2</sup>
Stripping length	8~9mm

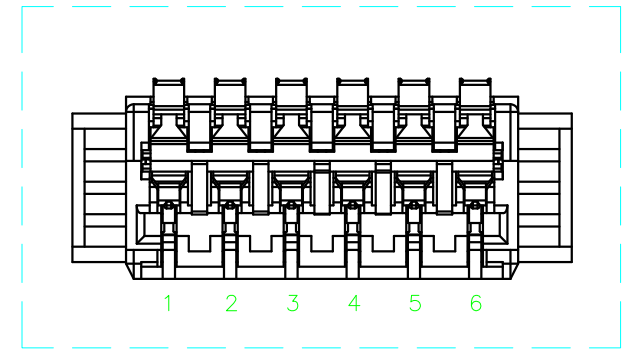
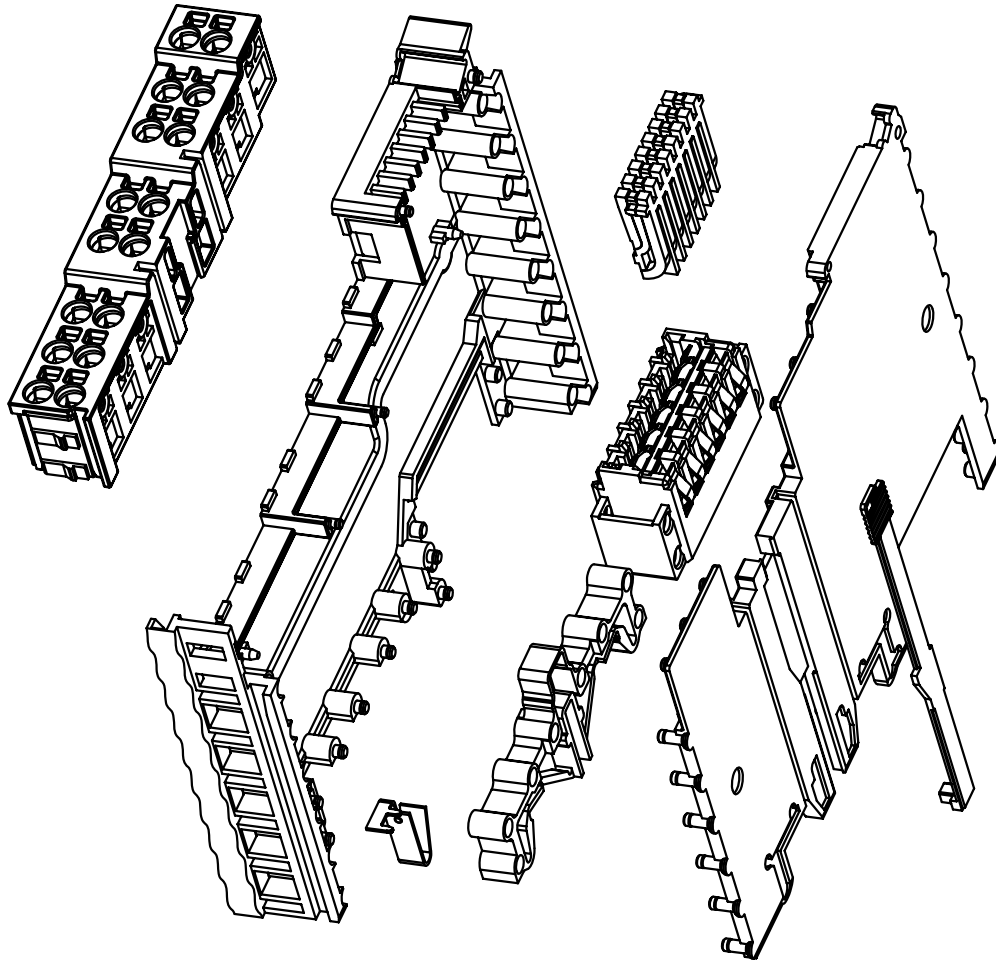
NOTES:  
 1.RoHS Compliance  
 2.Undimensioned tolerances:

Pitch range in mm		Nominal dimension range in mm					0.1/10
TO 6	Over 6 TO 10	Over 10 TO 24	TO 30	Over 30 TO 60	Over 60 TO 100	Over 100 TO 150	±
±0.15	±0.20	±0.30	±0.30	±0.50	±0.70	±1.00	±1.30
							±2'

DETACHED LISTS	PART NO.:	 宁波高松电子有限公司 NINGBO DEGSON ELECTRICAL CO., LTD		
	APPD:	NAME: DF750-300-11-20XXAH		
	CHKD:	TITLE: CUSTOMER DRAWING		
	DRFT: KY 2020.04.20	REV: D0-1	SHEET: 1/2	SCALE: 1:1
 THIRD ANGLE PROJECTION		DRAWING NO.: / DO NOT SCALE DRAWING		


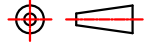
REVISION RECORD

REV	ECN	DESCRIPTION	DRFT	DATE



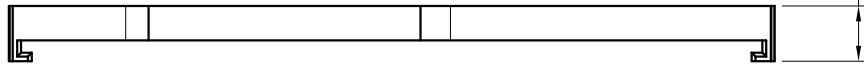
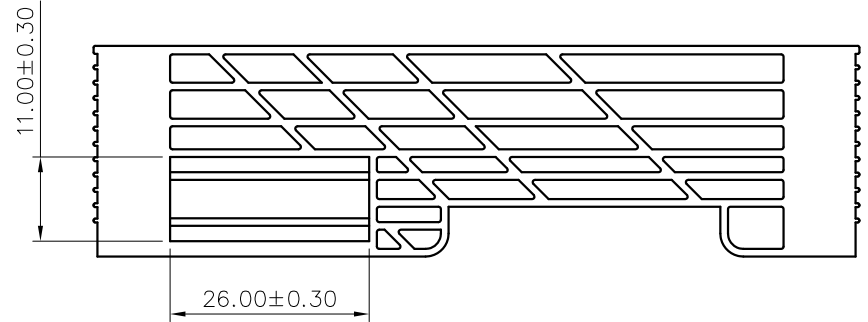
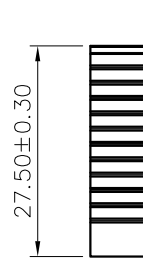
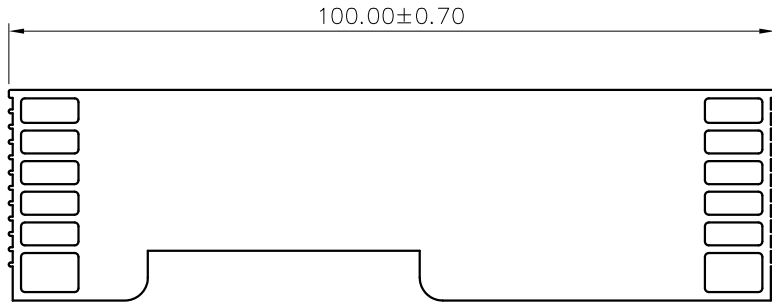
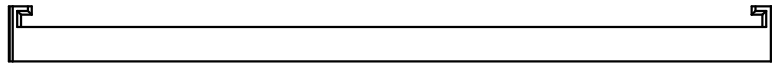
DF750-300-11-20XXA(H)

- 00: breakover1, 2, disconnect3, 4, 5, 6
- 01: disconnect1, 2, 3, 4, 5, 6
- 02: breakover1, 2, 5, 6, disconnect3, 4
- 03: breakove1, 2, 3, 4, 5, 6
- 05: breakover1, 6, disconnect2, 3, 4, 5
- 07: breakover1, 2, 4, 5, 6, disconnect3


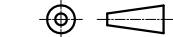

DETACHED LISTS	PART NO.:	 宁波高松电子有限公司 NINGBO DEGSON ELECTRICAL CO., LTD		
	APPD:	NAME: <b>DF750-300-11-20XXAH</b>		
	CHKD:	TITLE: <b>CUSTOMER DRAWING</b>		
	DRFT: <b>KY 2020.04.20</b>	REV: <b>D0-1</b>	SHEET: <b>2/2</b>	SCALE: <b>1:1</b>
 THIRD ANGLE PROJECTION		DRAWING NO.: /	DO NOT SCALE DRAWING	

REVISION RECORD

REV	ECN	DESCRIPTION	DRFT	DATE



NOTES:  
1.RoHS Compliance

DETACHED LISTS	PART NO.:	 宁波高松电子有限公司 NINGBO DEGSON ELECTRICAL CO., LTD		
	APPD:	NAME: DF750-T-1Y-00A(H)		
	CHKD:	TITLE: ASSEMBLY DRAWING		
	DRFT: XXY 2017.11.17	DRAWING NO.: DF750-T-C01	REV	D0-1
	 THIRD ANGLE PROJECTION		 DO NOT SCALE DRAWING	SHEET 1/1 SCALE 1:1