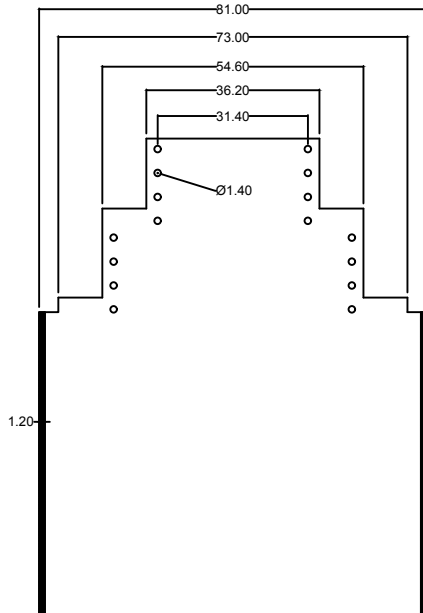


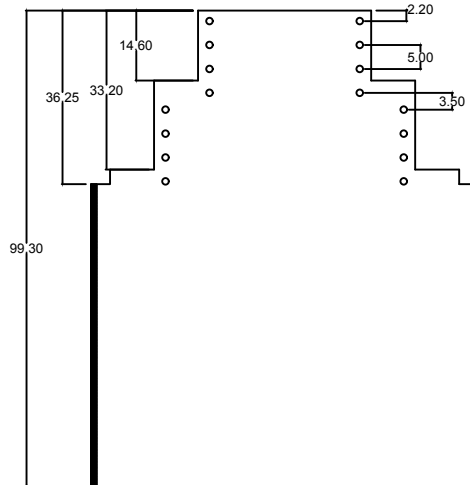
# Ocean Enclosures

---



Horizontal Dimensions

## PCB Drawing of FMET-04



Vertical Dimensions