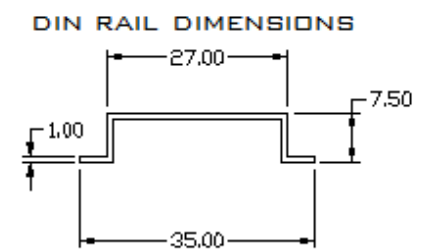
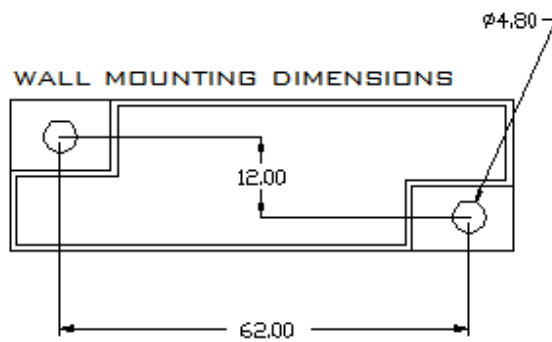
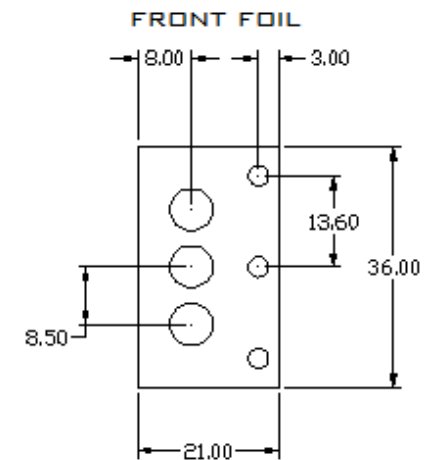
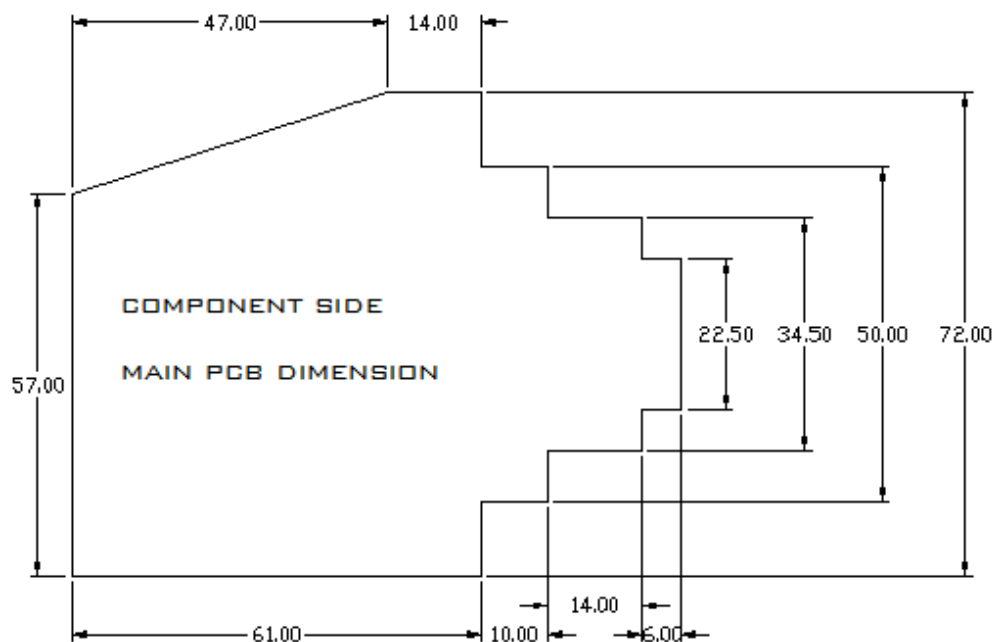


Ocean Enclosures

PCB Drawing of Din Rail Enclosure with 8 Poles (EC-7522)



Electroconnect Systems

J-112, Ansa Industrial Estate, Saki Vihar Road, Sakinaka,
Mumbai – 400 072. (India)

Phone Nos.: 28471917/60

Email ID: electronicenclosures@gmail.com

Website: www.oceanenclosures.com