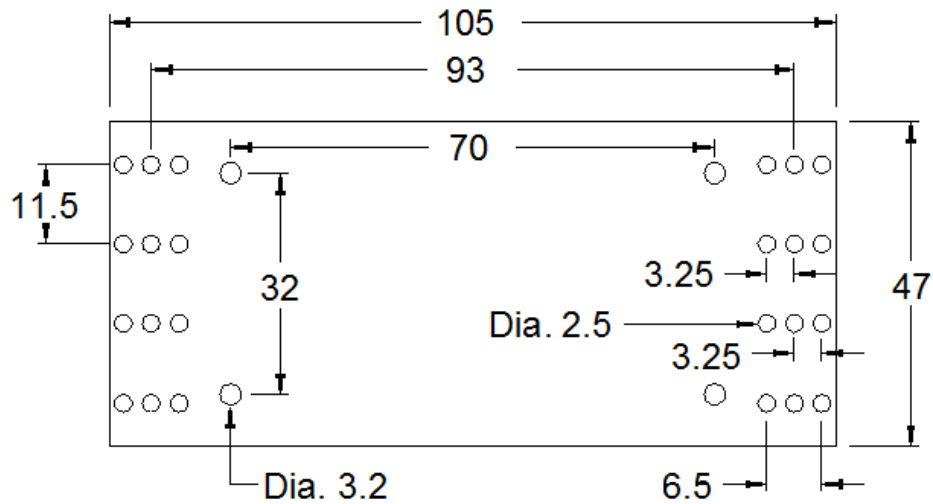


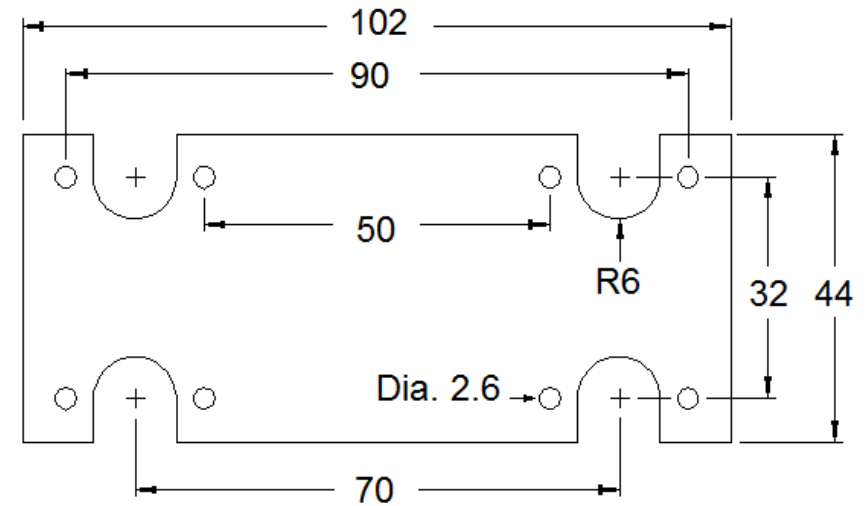
Ocean Enclosures

PCB Drawing of Din Rail/Wall Mounting Enclosure with 8 Poles (EL47-08P)

PCB BETWEEN TOP AND BOTTOM OF CASE

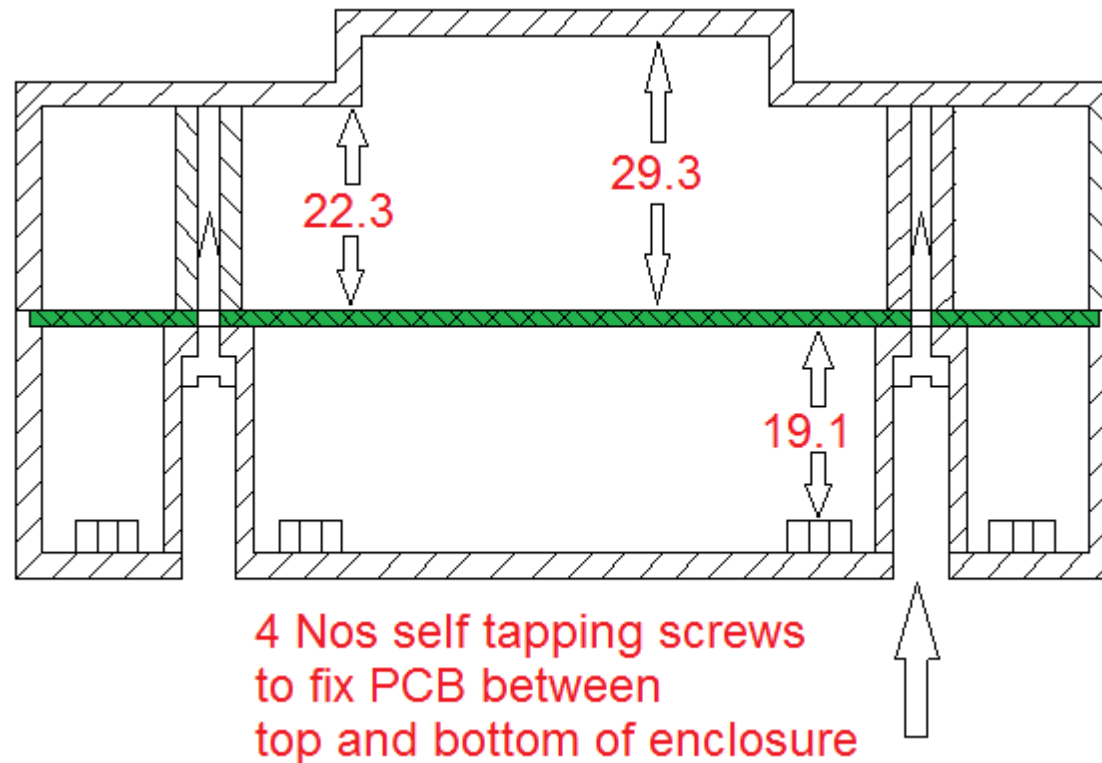


BOTTOM PCB



OceanEnclosures.Com
All dimensions are in mm

Slice view of EL47-08P Enclosure



Electroconnect Systems

J-112, Ansa Industrial Estate, Saki Vihar Road, Sakinaka,
Mumbai – 400 072. (India)

Phone Nos.: 28471917/60

Email ID: electronicenclosures@gmail.com

Website: www.oceanenclosures.com