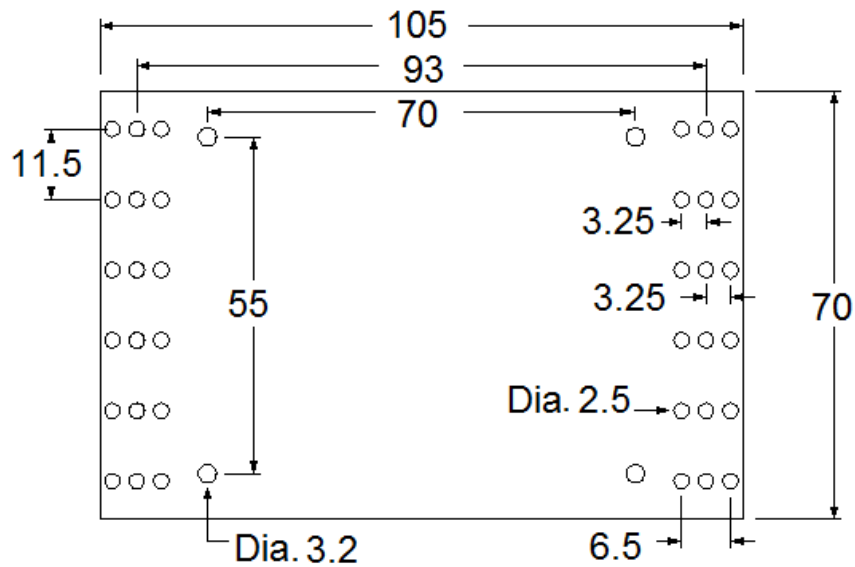


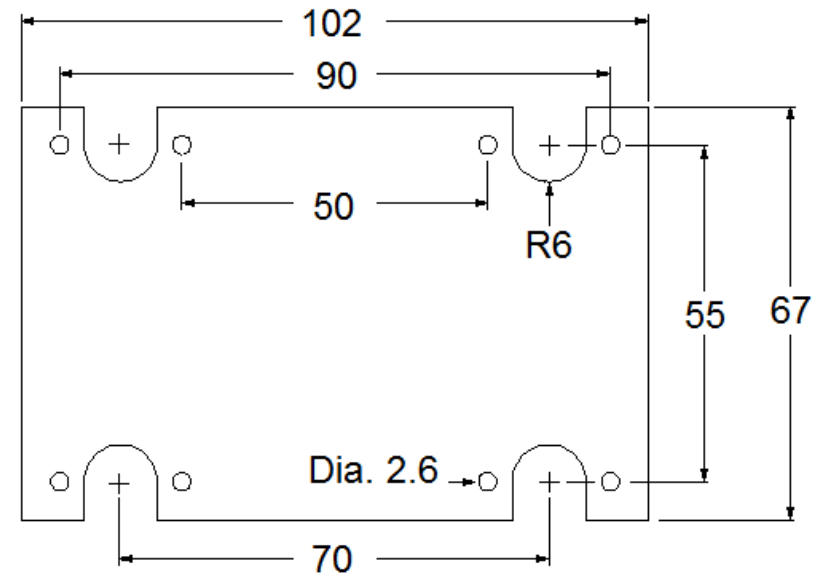
# Ocean Enclosures

## PCB Drawing of Din Rail/Wall Mounting Enclosure with 12 Poles (EL70-12P)

**PCB BETWEEN TOP AND BOTTOM OF CASE**

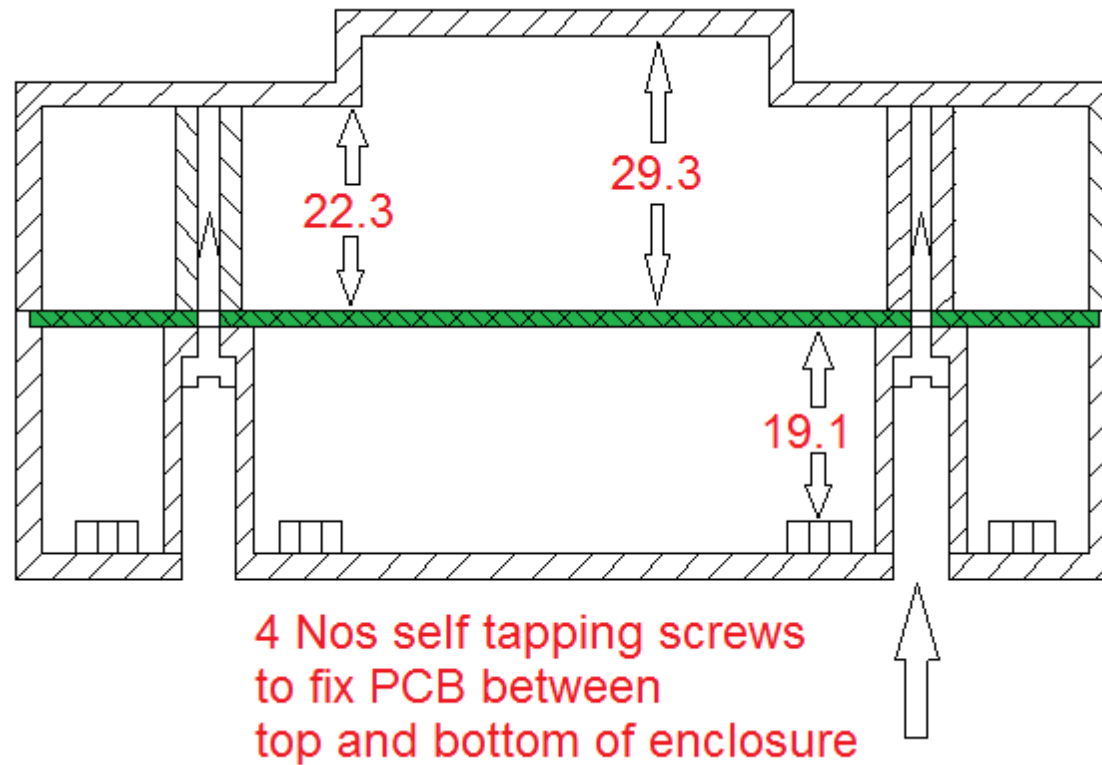


**BOTTOM PCB**



OceanEnclosures.Com  
All dimensions are in mm

## Slice view of EL70-12P Enclosure



### **Electroconnect Systems**

J-112, Ansa Industrial Estate, Saki Vihar Road, Sakinaka,  
Mumbai – 400 072. (India)

Phone Nos.: 28471917/60

Email ID: [electronicenclosures@gmail.com](mailto:electronicenclosures@gmail.com)

Website: [www.oceanenclosures.com](http://www.oceanenclosures.com)