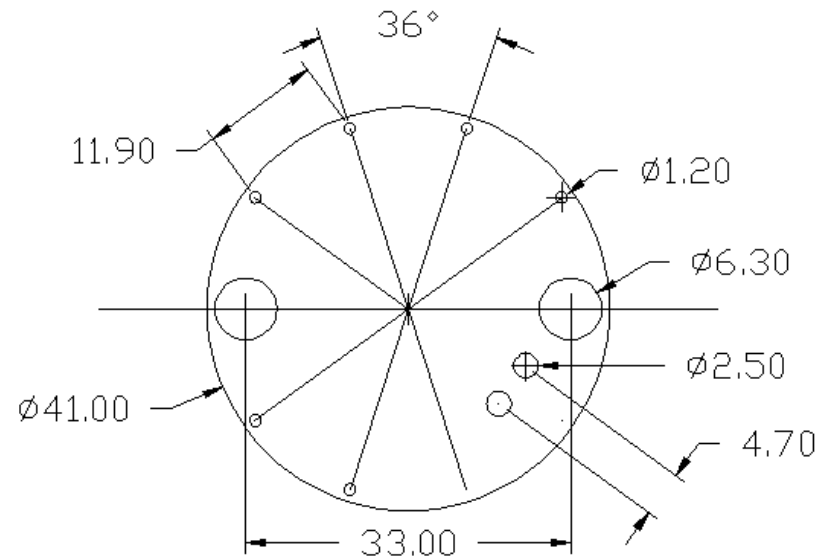


# Ocean Enclosures

## PCB Drawing of HMP-6 Enclosure



### Electroconnect Systems

J-112, Ansa Industrial Estate, Saki Vihar Road, Sakinaka,  
Mumbai – 400 072. (India)

Phone Nos.: 28471917/60

Email ID: [electronicenclosures@gmail.com](mailto:electronicenclosures@gmail.com)

Website: [www.oceanenclosures.com](http://www.oceanenclosures.com)