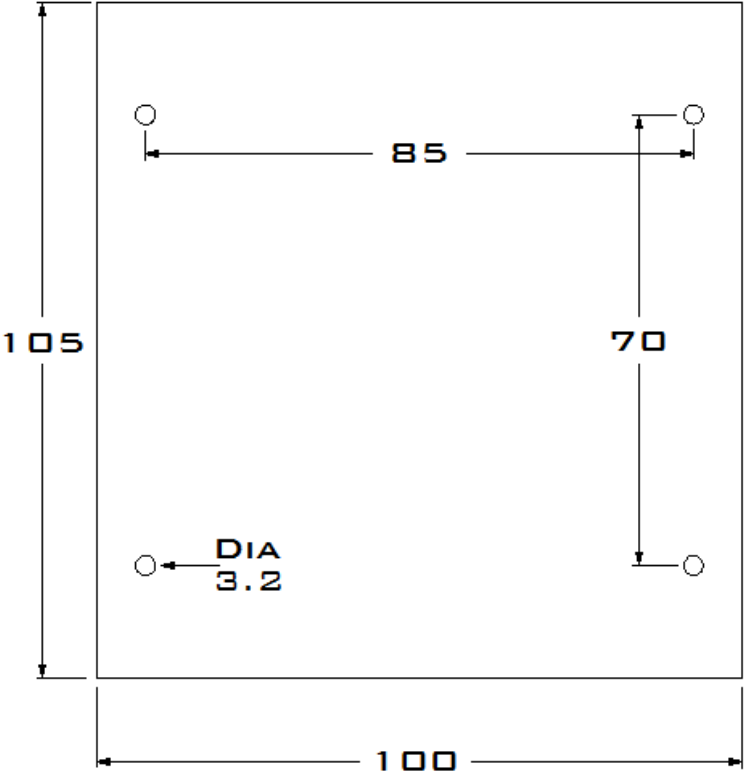


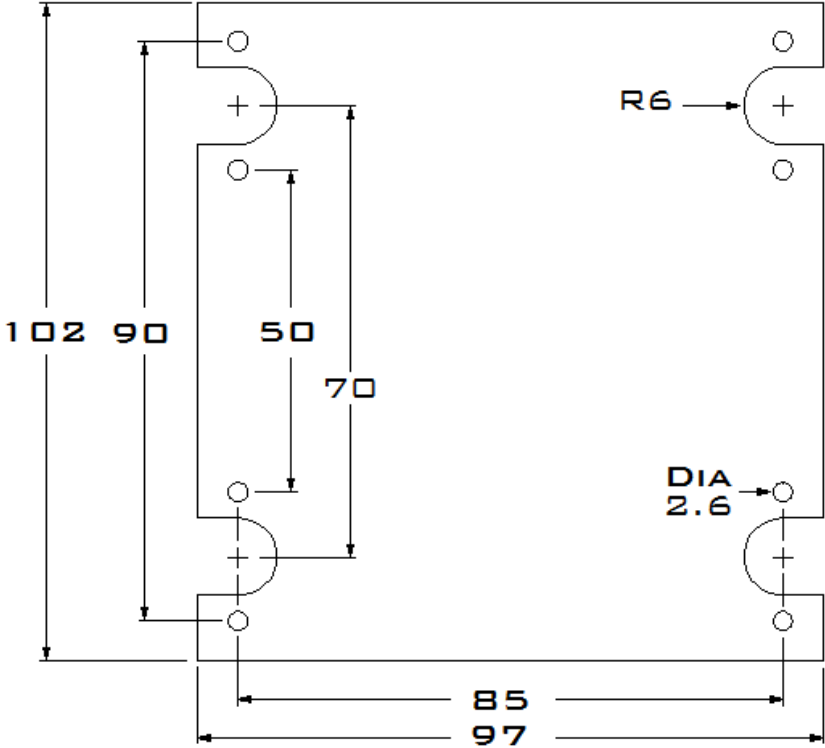
Ocean Enclosures

PCB Drawing of Open Top Enclosure, (MB-100A) Din rail & wall mounting

DRAWING OF TOP PCB

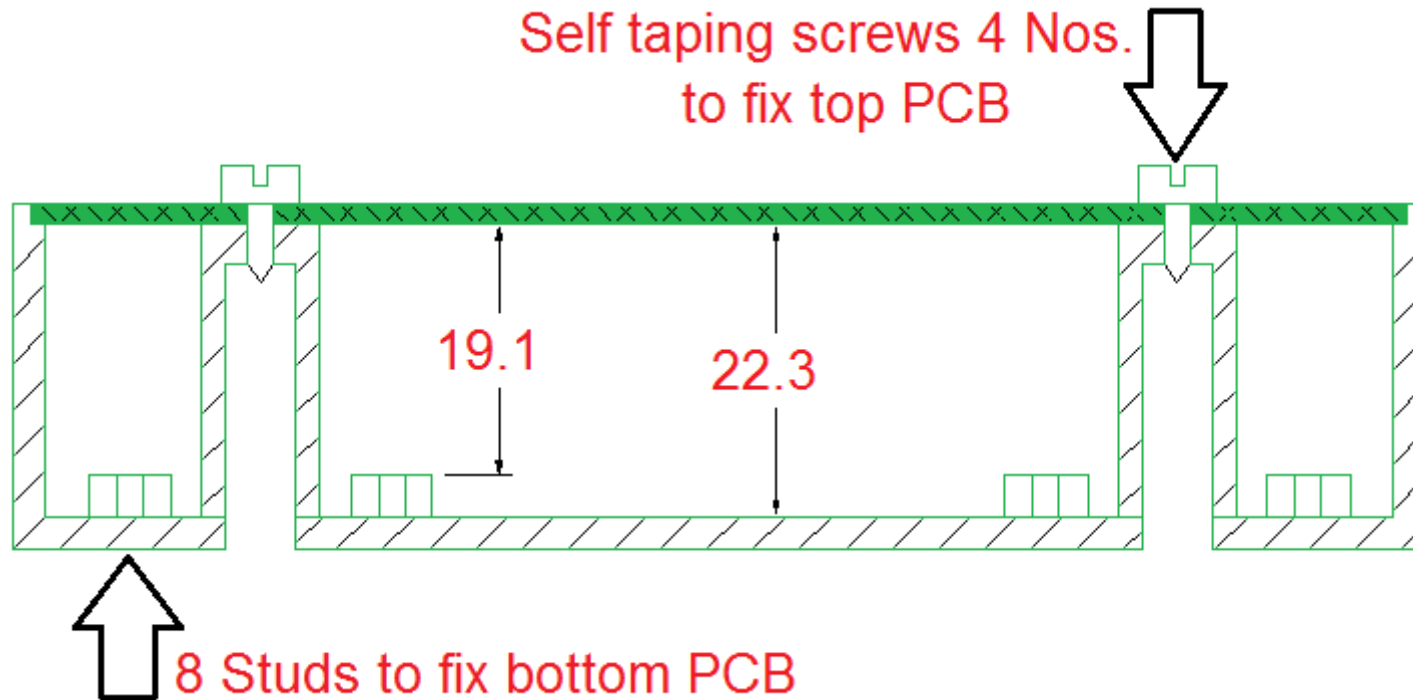


DRAWING OF BOTTOM PCB



OCEANENCLOSURES.COM
ALL DIMENSIONS ARE IN MM

Section View



Electroconnect Systems

J-112, Ansa Industrial Estate, Saki Vihar Road, Sakinaka,
Mumbai – 400 072. (India)

Phone Nos.: 28471917/60

Email ID: electronicenclosures@gmail.com

Website: www.oceanenclosures.com