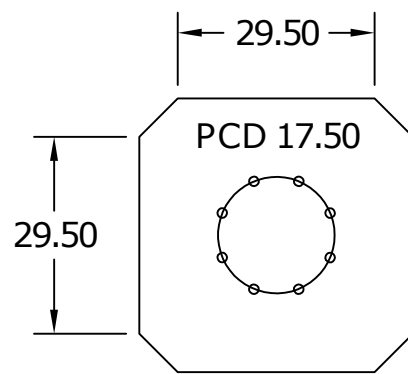
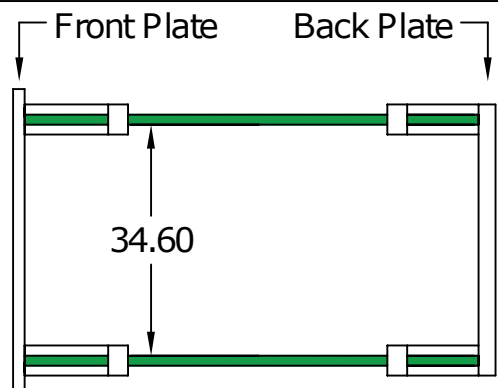
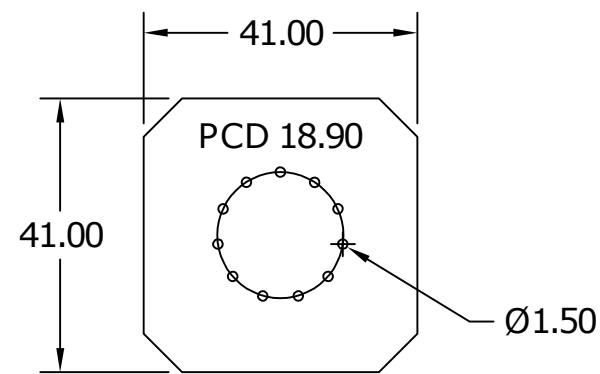


Ocean Enclosures

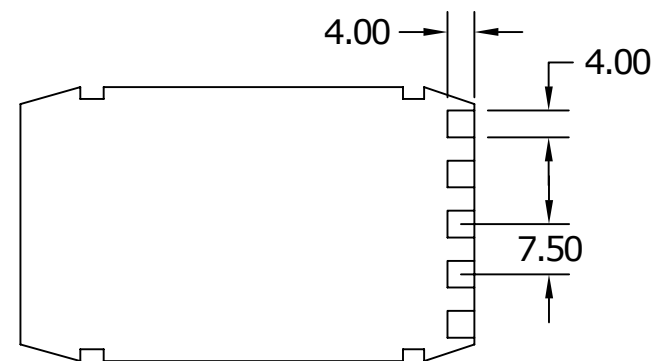
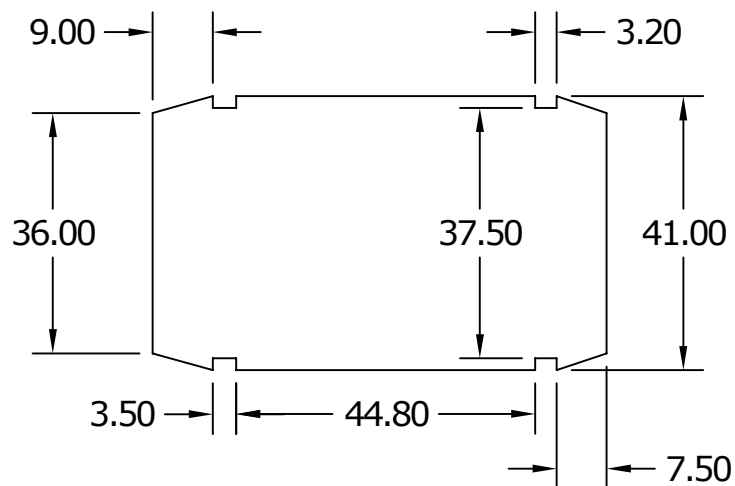
PCB drawings of 48x48x72 box with 8, 11 pin plug and 16 pole terminal block



PCB of 8 pin plug



PCB of 11 pin plug



Main PCB with 16 pole terminal pads

Ocean Enclosures

Website: www.oceanenclosures.com

Email ID: electronicenclosures@gmail.com

Code: E2-447

All Dimensions are in mm